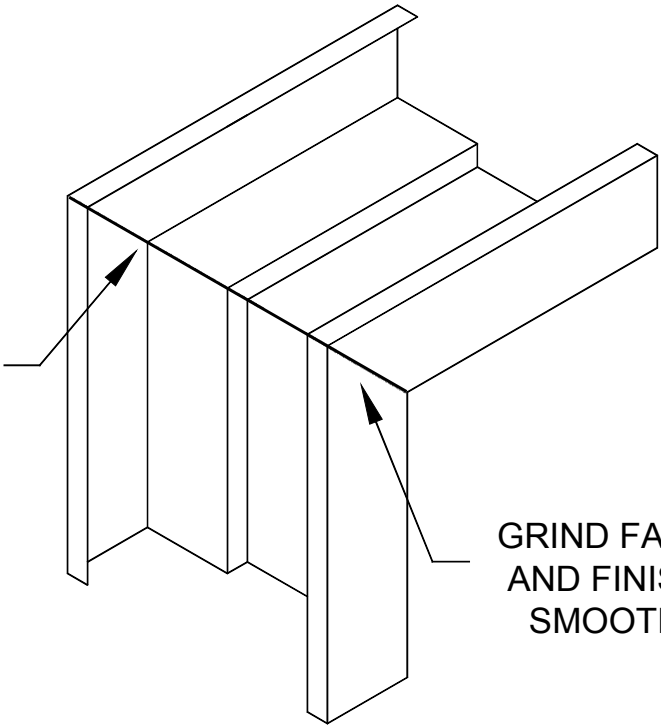
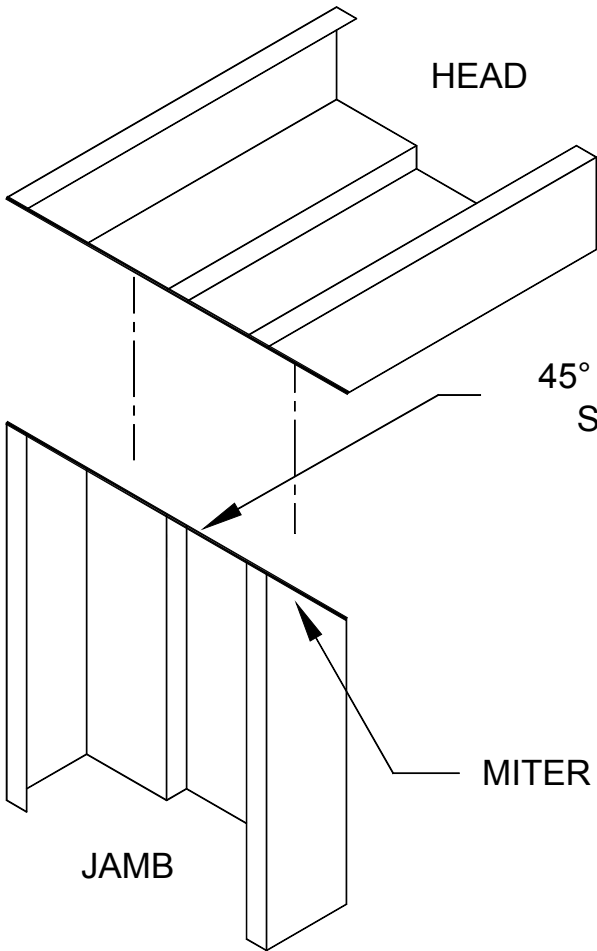


CONTINUOUS WELD RETURN, FACE, RABBET AND STOP INSIDE OF MITER



GRIND FACE AND FINISH SMOOTH



HEAD

45° MITER STOP

MITER

JAMB

<b>JR METAL FRAMES</b> MANUFACTURERS OF STANDARD AND CUSTOM HOLLOW METAL FRAMES AND DOORS 287 Oakland Road, Belgrade, Maine 04917 USA Office 207-465-9066 Fax: 207-465-9452			
<b>QUALITY SINCE 1981</b>	Title: <b>Continuously Welded</b>		
Original Date:	Revision:	Revision Date: 1-10-13	Drawing Number:
Drawn By:	Scale:	Sheet: 9 of 55	