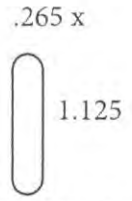
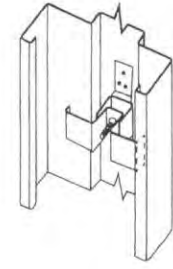
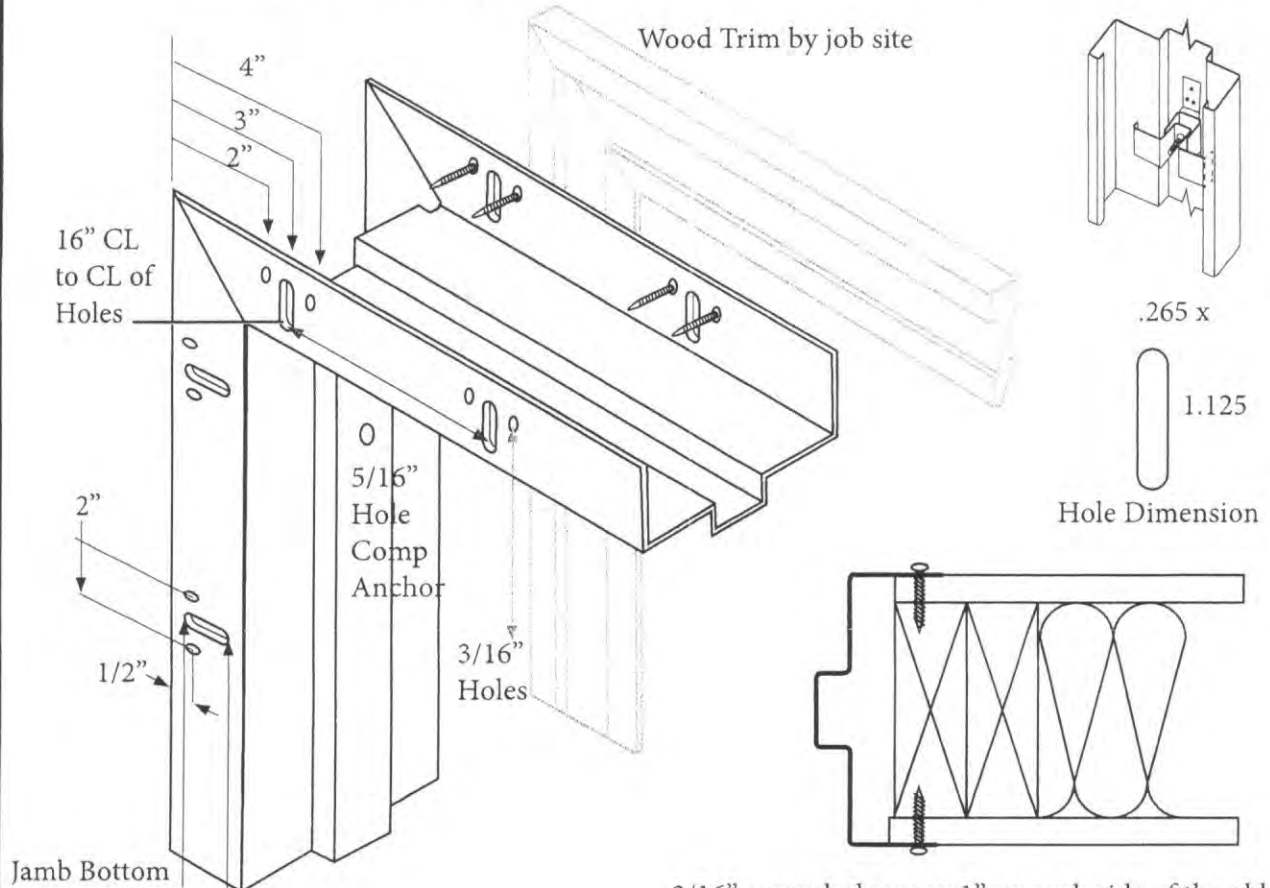
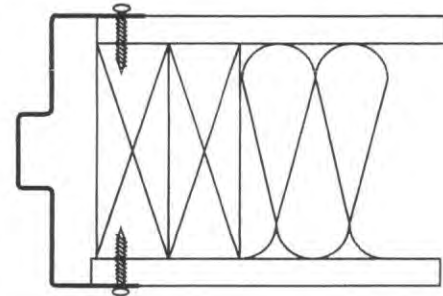


Nailer Frame Detail

Comp Anchor Detail
only with KD Frame optional



Hole Dimension

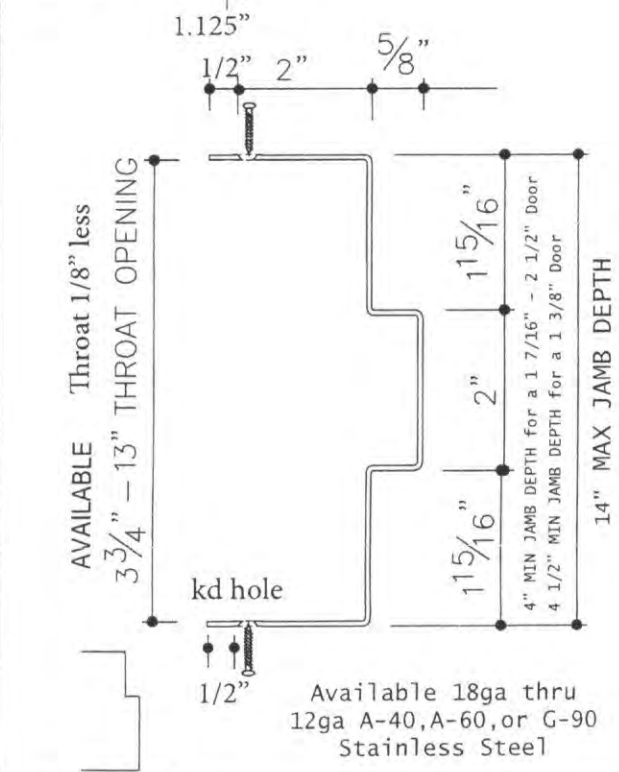


3/16" screw hole every 1" on each side of the oblong nail cutout. #6 Screw

Oblong nail area (1.125 x .265) every 16" on center to nail wood trim over frame

Distance is 3" from each header edge and then evened out through the width of the header no more than 16" apart center line to center line of the holes. This changes as the size of the frame head or jamb changes.

Nailer Frames are Tab and Slot Design in the KD Form.



Available 18ga thru 12ga A-40, A-60, or G-90 Stainless Steel

Single Rabbet Profile
4 1/16 - 14" Jamb Depth available also

90 min Rating



Available Welded or KD

Available in all Elevations

<p>MANUFACTURERS OF STANDARD AND CUSTOM HOLLOW METAL FRAMES AND DOORS</p> <p>287 Oakland Road, Belgrade, Maine 04917 USA Office 207-465-9066 Fax: 207-465-9452</p>			
<p>QUALITY SINCE 1981</p>	<p>Title: Nailer Series</p>		
<p>Original Date: 03-21-16</p>	<p>Revision: #1</p>	<p>Revision Date: 07-17-17</p>	<p>Drawing Number: PR000</p>
<p>Drawn By:</p>	<p>Scale: Do not scale this drawing</p>	<p>Sheet: of</p>	